

**WARREN
RUPP®**

Quality System
ISO9001 Certified

Environmental
Management System
ISO14001 Certified

IDEX
IDEX CORPORATION



U.S. Patent #5,851,109; 5,996,627;
400,210; 6,241,487
Other U.S. Patents Applied for

SandPIPER II®

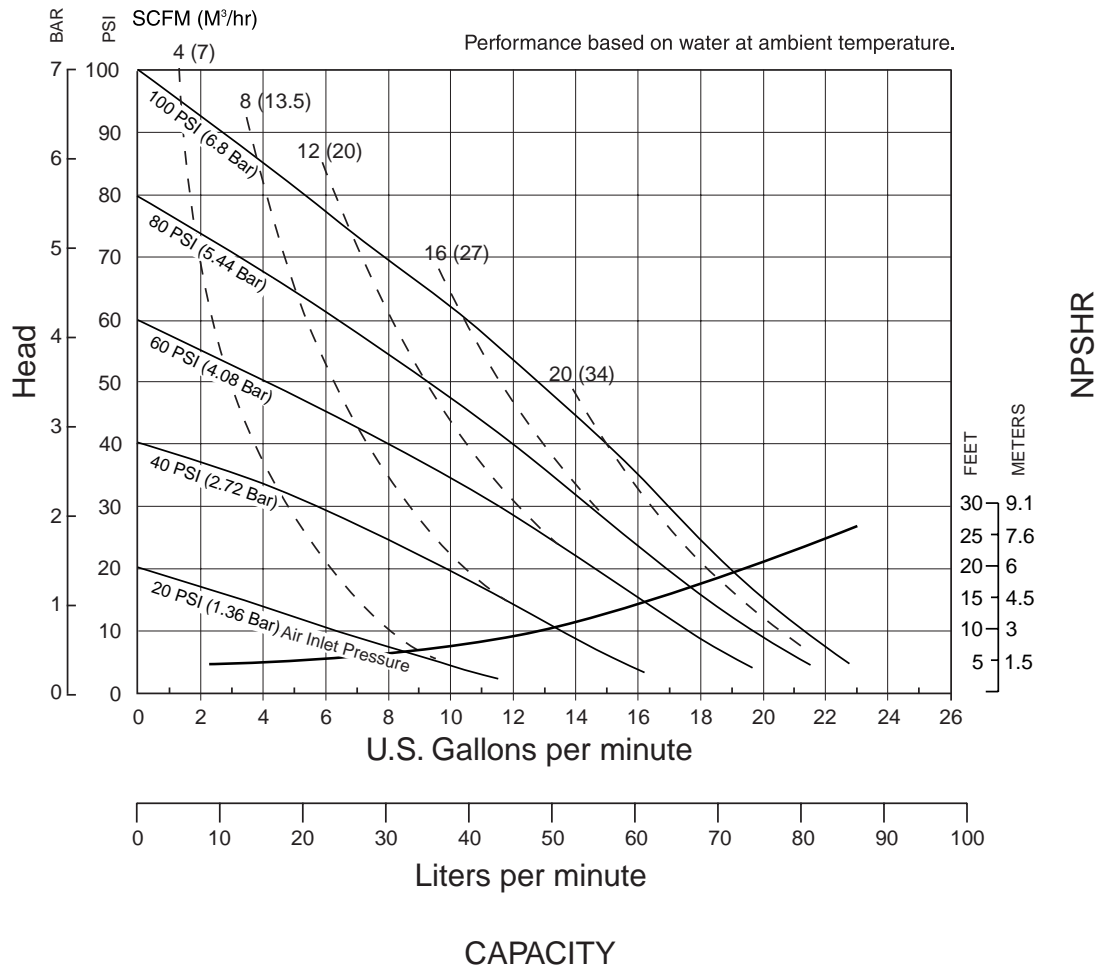
S07 Non-Metallic Design Level 1 Ball Valve

**Air-Powered
Double-Diaphragm Pump**



ENGINEERING, PERFORMANCE
& CONSTRUCTION DATA

INTAKE/DISCHARGE PIPE SIZE	CAPACITY	AIR VALVE	SOLIDS-HANDLING	HEADS UP TO	DISPLACEMENT/STROKE
Intake ¾" NPTF(BSP)	0 to 23 gallons per minute (0 to 87 liters per minute)	No-lube, no-stall design	Up to .15 in. (4mm)	100 psi or 231 ft. of water (7 bar or 70 meters)	.026 Gallon / .098 liter
Discharge 1½" NPTM (BSP)					



SandPIPER II® pumps are designed to be powered only by compressed air.

Explanation of Pump Nomenclature

S07 Non-Metallic - Design Level 1- Ball Valve

MODEL	Pump Brand	Pump Size	Check Valve Type	Design Level	Wetted Material	Diaphragm/Check Valve Materials	Check Valve Seat	Non-Wetted Material Options	Porting Options	Pump Style	Pump Options	Shipping Kit Options	Weight lbs. (kg)
S07B1P1PPNS000.	S	07	B	1	P	1	P	P	N	S	0	00.	17 (8)
S07B1P2PPNS000.	S	07	B	1	P	2	P	P	N	S	0	00.	17 (8)
S07B1K1KPNS000.	S	07	B	1	K	1	K	P	N	S	0	00.	21 (9.5)
S07B1K2KPNS000.	S	07	B	1	K	2	K	P	N	S	0	00.	21 (9.5)
S07B1N1NPNS000.	S	07	B	1	N	1	N	P	N	S	0	00.	18 (9)
S07B1N2NPNS000.	S	07	B	1	N	2	N	P	N	S	0	00.	18 (9)
S07T1P7PPBS000.	S	07	T	1	P	7	P	P	B	S	0	00.	21 (9.5)
S07T1P8PPBS000.	S	07	T	1	P	8	P	P	B	S	0	00.	21 (9.5)
S07T1P7PPNS000.	S	07	B	1	P	7	P	P	N	S	0	00.	17 (8)
S07T1P8PPNS000.	S	07	B	1	P	8	P	P	N	S	0	00.	17 (8)
S07B1P1PPBS000.	S	07	B	1	P	1	P	P	B	S	0	00.	17 (8)
S07B1P2PPBS000.	S	07	B	1	P	2	P	P	B	S	0	00.	17 (8)
S07B1K1KPBS000.	S	07	B	1	K	1	K	P	B	S	0	00.	21 (9.5)
S07B1K2KPBS000.	S	07	B	1	K	2	K	P	B	S	0	00.	21 (9.5)
S07B1N1NPBS000.	S	07	B	1	N	1	N	P	B	S	0	00.	18 (9)
S07B1N2NPBS000.	S	07	B	1	N	2	N	P	B	S	0	00.	18 (9)

Pump Brand
S= SandPIPER II®

Pump Size
07= 3/4"

Check Valve Type
B= Ball
T= Trihedral

Design Level
1= Design Level

Wetted Material
K= PVDF
N= Nylon
P= Polypropylene

Diaphragm/Check Valve Materials
1= Santoprene/Santoprene
2= Virgin PTFE-Santoprene Backup/Virgin PTFE
7= Santoprene/Buna
8= Virgin PTFE-Santoprene Backup.Viton

Check Valve Seat
K= PVDF
N= Nylon
P= Polypropylene

Non-Wetted Material Options
P= Polypropylene
I= Polypropylene with PTFE Hardware

Porting Options
A= ANSI Flange
N= NPT Threads
1= Dual Porting (NPT)
2= Top Dual Porting (NPT)
3= Bottom Dual Porting (NPT)
4= Dual Porting (BSP)
5= Top Dual Porting (BSP)
6= Bottom Dual Porting (BSP)
B= BSP Threads

Pump Style
S= Standard

Pump Options
0= None
2= Mesh Muffler

Kit Options
00.= None
P0.= 10-30VDC Pulse Output Kit
P1.= Intrinsically-Safe 10-30VDC Pulse Output Kit
P2.= 110/120 or 220/240VAC Pulse Output Kit
P3.= Intrinsically-Safe 110/120VAC Pulse Output Kit
P4.= Intrinsically-Safe 220/240VAC Pulse Output Kit
E0.= Solenoid Kit with 24VDC Coil
E1.= Solenoid Kit 24VDC Explosion-Proof Coil
E2.= Solenoid Kit with 24VAC/12VDC Coil
E3.= Solenoid Kit with 24VAC/12VDC Explosion-Proof Coil
E4.= Solenoid Kit with 110VAC Coil
E5.= Solenoid Kit with 110VAC Explosion-Proof Coil
E6.= Solenoid Kit with 220VAC Coil
E7.= Solenoid Kit with 220VAC Explosion-Proof Coil
SP= Stroke Indicator Pins

**CAUTION! Operating temperature limitations are as follows:**

Materials	Operating Temperatures		
	Maximum*	Minimum*	Optimum**
Santoprene® Injection molded thermoplastic elastomer with no fabric layer. Long mechanical flex life. Excellent abrasion resistance.	212°F 100°C	-10°F -23°C	50°F to 212°F 10°C to 100°C
Virgin PTFE Chemically inert, virtually impervious. Very few chemicals are known to react chemically with PTFE: molten alkali metals, turbulent liquid or gaseous fluorine and a few fluoro-chemicals such as chlorine trifluoride or oxygen difluoride which readily liberate free fluorine at elevated temperatures.	212°F 100°C	-35°F -37°C	50°F to 212°F 10°C to 100°C
PVDF	200°F -93°C	-10°F -13°C	
Polypropylene	150°F 65°C	-40°F 5°C	
Polyutethane	210°F 99°C	-40°F -40°C	-40°F to 210°F -40°C to 99°C
Nylon	120°F 48°C	32°F 0°C	

For specific applications, always consult "Chemical Resistance Chart" Technical Bulletin

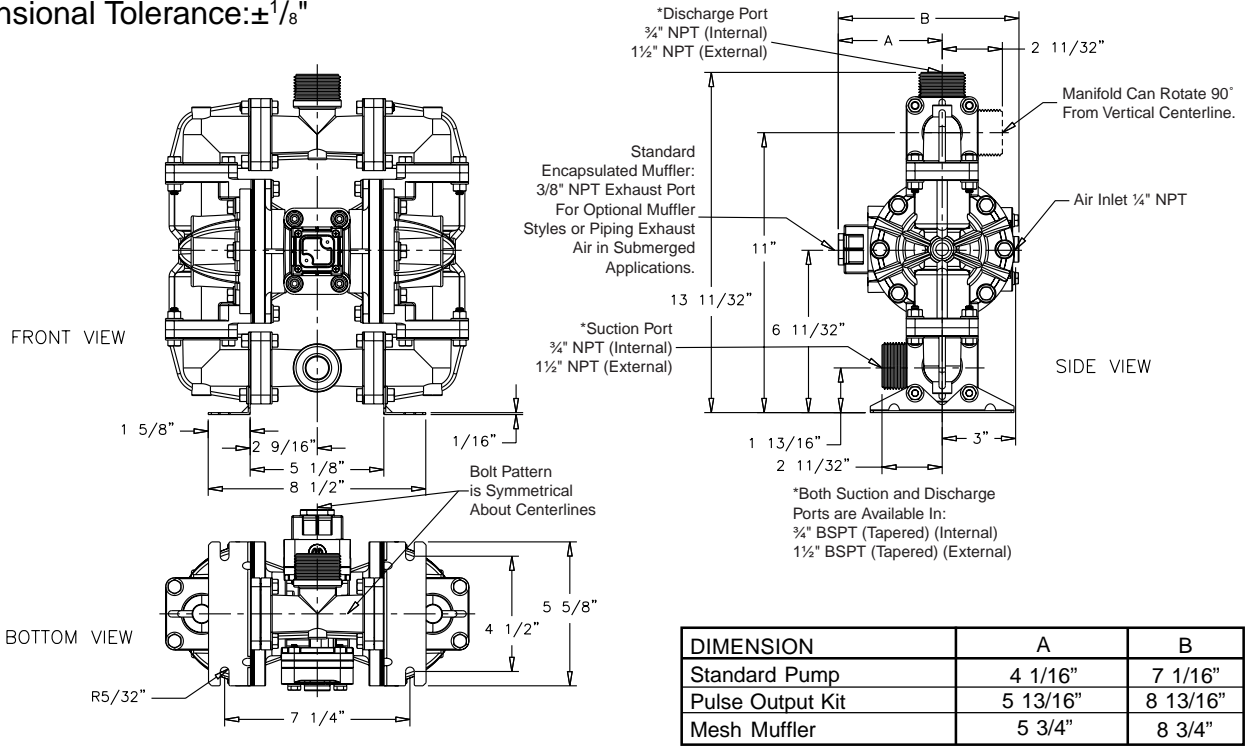
*Definite reduction in service life.

**Minimal reduction in service life at ends of range.

Dimensions: S07 Non-Metallic

Dimensions in Inches

Dimensional Tolerance: $\pm 1/8"$



Dimensions in Millimeters

Dimensional Tolerance: $\pm 3\text{mm}$

